



GS Series Generator Sets

GS8-20D Series Diesel Generator Sets

For genset specifications and data, refer to the specific genset technical data sheet.

When ordering, please quote genset part number. See page 4 for part number extension information.

Standard Equipment: Includes a radiator-cooled diesel engine with pusher fan, integral base frame, vibration isolators, battery cables and hold-down, 12-volt electric starter motor and belt-driven battery charging alternator; fuel control solenoid-energized to run, medium-duty air cleaner, fan and belt guard, mechanical fuel lift pump, close coupled Mecc Alte 12-lead AVR controlled alternator and the DA control panel. *GS20D:* Heavy-duty air cleaner is standard in lieu of medium-duty air cleaner.

Standard 'DA' Control Panel: This control comes complete as a manual or auto start control with hour meter in a vibration isolated cabinet. When in "Auto" position a simple switch closure of any kind will signal the set to start. Controls provide safety shutdown protection, with LED indication for low oil pressure, high temperature, over/under speed and fail to start after three attempts. Low battery voltage will have a warning. It comes standard with two configurable input/outputs

Standard generator set ratings for stand-by applications with Mecc Alte alternator.

Model Number	Engine Model	EPA Compliant	HZ	KW Rating 1 Phase	KW Rating 3 Phase	List Price
GS8DE-LM-DA	LPWS2	Yes	60	8 KW 8 KVA ST/BY	8.4 KW 10.5 KVA ST/BY	\$7,850
GS8D-LM-DA	LPW2	No	60	8 KW 8 KVA ST/BY	8.4 KW 10.5 KVA ST/BY	
GS12DE-LM-DA	LPWS3	Yes	60	12.3 KW 12.3 KVA ST/BY	12.9 KW 16.1 KVA ST/BY	\$8,450
GS12D-LM-DA	LPW3	No	60	12.3 KW 12.3 KVA ST/BY	12.9 KW 16.1 KVA ST/BY	
			50	9.7 KW 9.7 KVA ST/BY	10.3 KW 12.1 KVA ST/BY	
GS17DE-LM-DA	LPWS4	Yes	60	16.1 KW 16.1 KVA ST/BY	17.5 KW 21.9 KVA ST/BY	\$9,450
GS17D-LM-DA	LPW4	No	60	16.1 KW 16.1 KVA ST/BY	17.5 KW 21.9 KVA ST/BY	
			50	12.4 KW 12.4 KVA ST/BY	13 KW 16.3 KVA ST/BY	
GS20DE-LM-DA	LPWT4	*Yes	60	19.3 KW 19.3 KVA ST/BY	22.2 KW 27.8 KVA ST/BY	\$11,850
GS20D-LM-DA	LPWT4	No	60	19.3 KW 19.3 KVA ST/BY	22.2 KW 27.8 KVA ST/BY	
			50	16.1 KW 16.1 KVA ST/BY	17.6 KW 22 KVA ST/BY	

U.S. Dollar List Prices, Ex-works; Olathe, Kansas USA

*LPWT4 is Tier 1 compliant for stationary use. Can not be used for mobile applications in the USA.

All ratings are calculated at sea level, 77° F and 30% humidity with generator set at normal operating temperature. factors. See data sheet for derate schedule

Prices are not valid for accessories shipped loose or field installation kits. Please add 10% for loose accessories (Not installed on set) or ordered with-out genset purchase.

See page 3 for optional Newage Alternator pricing & ratings.

See the following pages for additional accessories and optional equipment.

Please consult Lister Petter Americas for accessories or option not listed.

Prices and Specifications are subject to amendment without notice. All orders are subject to the Company's Terms and Conditions of Sale.



LISTER PETTER GS SERIES ACCESSORIES

GS8-20D

December 2006

Page 2

ACCESSORY GROUP	DESCRIPTION	LIST PRICE			
		GS8	GS12	GS17	GS20
Air Cleaners	Heavy duty air cleaner in lieu of medium duty.	\$88			Standard
Battery Charger	Fully automatic battery charger, 6 amp 12 VDC, 120 V, 60 Hz with LED indication.	\$106			
Circuit Breakers	Circuit breakers (All voltages but 480/600 volt.) Sized for your genset	\$220			
	Circuit breakers 480 & 600 volt Sized for your genset	\$220			
Control Panel Options	DB Control Panel Upgrade - See page 4 for details Includes A/C meters	\$465			
	Low coolant level shutdown	\$163			
	Panel mounted emergency stop switch	\$53			
	Low fuel level alarm (For use with DW tanks)	\$125			
	Basin rupture alarm (For use with DW tanks)	\$135			
Enclosures	Basic weather resistant enclosure - Powder Coated Steel	\$743			
	Powder Coated Aluminum	\$985			
	Sound attenuated weather enclosure - (Sound baffles shipped loose) Powder Coated Steel	\$1,180			
	Powder Coated Aluminum	\$1,495			
	Weld on flange	\$31			
Exhaust Equipment	Threaded flange 1 1/2"	\$26			
	Critical Silencer - Engine Mounted	\$148			\$198
	Flex pipe - NOT for use with engine mounted silencer	\$145			
	12-Volt electronic governor, factory installed in lieu of standard fuel control solenoid.	\$536			
Heaters	Coolant heater - tank type 120 volt	\$122			
	Coolant heater - tank type 240 volt	\$122			
	Coolant heater - 400 watt - Freeze plug type	\$92			
	120 Volt anti-condensation heater - Alternator	\$188			
	240 Volt ant-condensation heater - Alternator	\$188			
Lubrication	Mechanical oil pressure guage - Engine mounted	\$47			
Transfer Switches	100 Amp 2 pole Transfer Switch	\$1,180			
	100 Amp 3 pole Transfer Switch	\$1,345			
	Additional Sizes Available	Consult LPAI			



LISTER PETTER GS SERIES ACCESSORIES

ACCESSORY GROUP	DESCRIPTION	LIST PRICE			
		GS8	GS12	GS17	GS20
Fuel Tank Options	Single wall 15 gallon fuel tank - <i>Plastic in base.</i>	\$285			
	Single wall 50 gallon fuel tank	\$950			
	Double wall 25 gallon fuel tank UL 142	\$1,395			
	Double wall 40 gallon fuel tank UL 142	\$1,495			
	Double wall 83 gallon fuel tank UL 142	\$1,995			
Literature	Generator set operators manual	TBA			
	Generator set parts manual	TBA			
	Engine parts manual	\$57			
	Engine operation manual	\$14			
	Installation manual	TBA			
Shipping	Shipping skid with cardboard box	INC			
	Open wooden crate	\$167			
	Export wooden crate	\$333			
Alternator End Options	Newage 4-lead dedicated Single Phase (05 or 06 winding)	\$175			
	Newage 12 wire reconnectable - Three Phase Only (311 winding)	\$175			
	Newage 12 wire reconnectable - 600 Volt Three Phase Only (17 winding)	\$175			

Generator set ratings with the optional Newage alternator

Genset	HZ	Winding	KW Rating 1 Phase	Winding	KW Rating 1 Phase	KW Rating 3 Phase
GS8DE	60	06	7.6 KW 7.6 KVA ST/BY	311	7.3 KW 7.3 KVA ST/BY	7.7 KW 9.6 KVA ST/BY
GS8D	60	06	7.6 KW 7.6 KVA ST/BY	311	7.3 KW 7.3 KVA ST/BY	7.7 KW 9.6 KVA ST/BY
GS12DE	60	06	11.7 KW 11.7 KVA ST/BY	311	11.7 KW 11.7 KVA ST/BY	12.2 KW 15.2 KVA ST/BY
GS12D	60	06	11.7 KW 11.7 KVA ST/BY	311	11.7 KW 11.7 KVA ST/BY	12.2 KW 15.2 KVA ST/BY
	50	05	9.0 KW 9.0 KVA ST/BY	311	9.7 KW 9.7 KVA ST/BY	10 KW 12.5 KVA ST/BY
GS17DE	60	06	16.5 KW 16.5 KVA ST/BY	311	15.3 KW 15.3 KVA ST/BY	17.2 KW 21.5 KVA ST/BY
GS17D	60	06	16.5 KW 16.5 KVA ST/BY	311	15.3 KW 15.3 KVA ST/BY	17.2 KW 21.5 KVA ST/BY
	50	05	12.6 KW 12.6 KVA ST/BY	311	12.5 KW 12.5 KVA ST/BY	12.8 KW 16 KVA ST/BY
GS20DE	60	06	21 KW 21 KVA ST/BY	311	20.6 KW 20.6 KVA ST/BY	21.3 KW 26.6 KVA ST/BY
GS20D	60	06	21 KW 21 KVA ST/BY	311	20.6 KW 20.6 KVA ST/BY	21.3 KW 26.6 KVA ST/BY
	50	05	16.9 KW 16.9 KVA ST/BY	311	17.2 KW 17.2 KVA ST/BY	17.2 KW 21.5 KVA ST/BY

For any additional accessories you may require that aren't listed here please call for special quote or advice.

Prices and Specifications are subject to amendment without notice. All orders are subject to the Company's Terms and Conditions of Sale.

Lister Petter Americas Inc. • 815 E. 56 Highway • Olathe, Kansas 66061-4914 USA • Telephone: (913) 764-3512 • Fax: (913) 764-5493

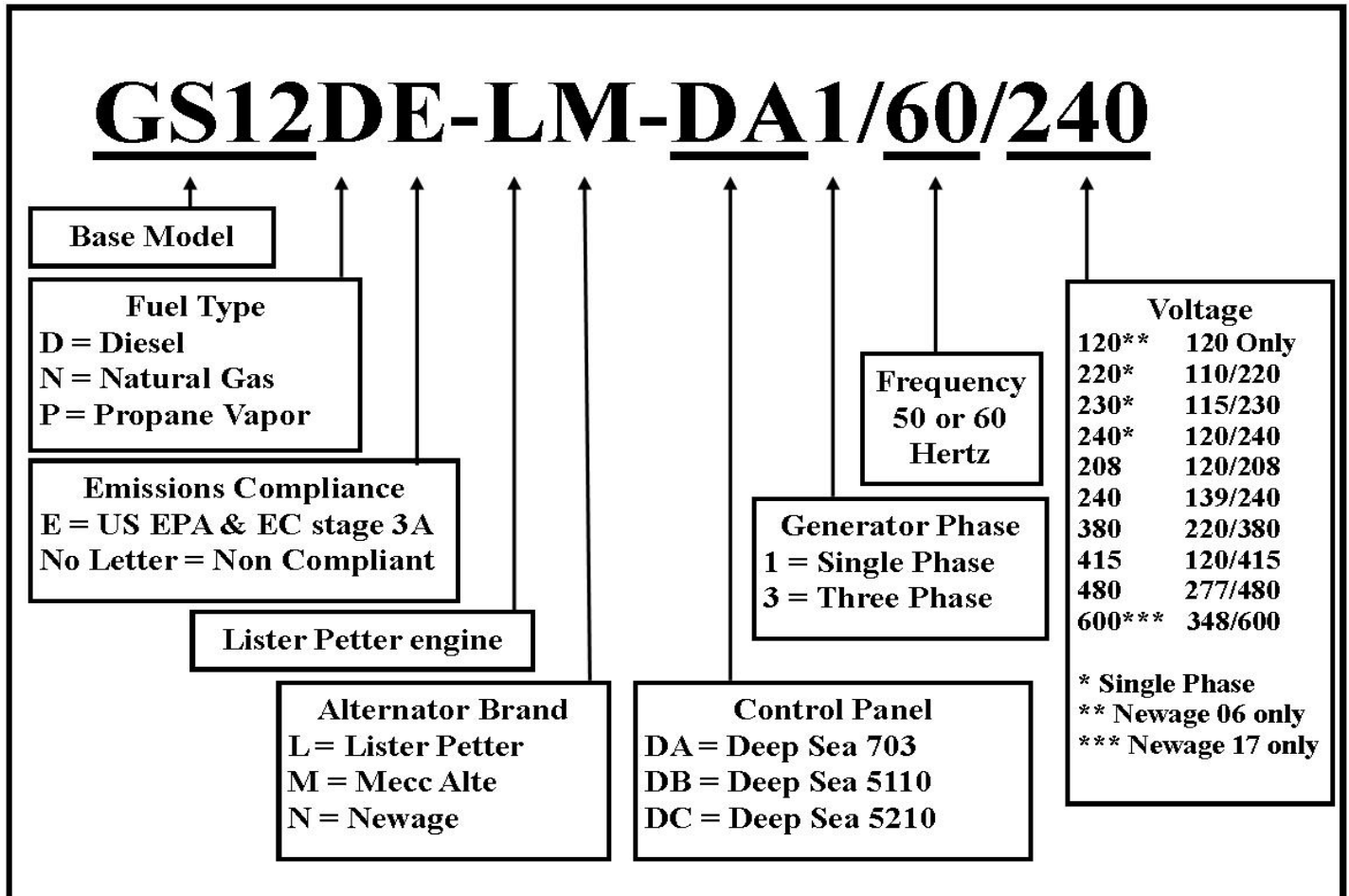
www.lister-petter.com



Optional "DB" Control Panel Details

Optional 'DB' Control Panel: This control comes complete as a manual or auto start control in a vibration isolated cabinet. When in "Auto" position a simple switch closure of any kind will signal the set to start. The controls provide safety shutdown protection for low oil pressure, high temperature, over/under speed and a over crank fault after three failed attempts to start. Using a push button you can easily scroll through the LCD showing the generator sets A/C voltage, amperage and frequency. The engine will be monitored for oil pressure, temperature, D/C battery volts, and engine hours run. It comes standard with five fully configurable inputs and three configurable outputs for either warnings or shutdowns.

Model Number Breakout and Definition



Prices and Specifications are subject to amendment without notice. All orders are subject to the Company's Terms and Conditions of Sale.

Lister Petter Americas Inc. • 815 E. 56 Highway • Olathe, Kansas 66061-4914 USA • Telephone: (913) 764-3512 • Fax: (913) 764-5493

www.lister-petter.com